

Non-contact thermometer

All-in-one type

THERMO-HUNTER®**BA series**

0 to 500°C

**BEST
SELLER****Features**

- **Scaling function**

The temperature range of analog output can be scaled within the temperature range as you like.

- **Built-in amplifier with compact body**

The first non-contact thermometer of its class incorporating a digital display, setting panel, and output function.

- **Emissivity teach function simplifies emissivity adjustment**

- **Two-type optics**

Long focus : 30mm at 1000mm distance (BA30)

Narrow focus : 6mm at 200mm distance (BA06)

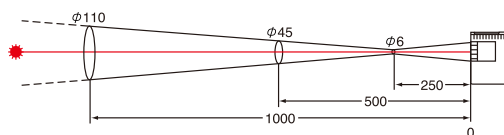
- **Two-type analog outputs**

4-20mA type is suitable for long-distance transmission, and 1mV type is suitable for the connection with a panel meter.

- **The built-in coaxial laser marker allows you to sight measuring objects**

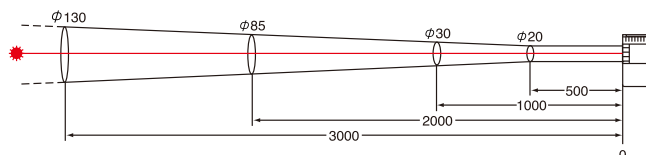
Optical Specifications

● BA-06TA-S / BA-06TV-S



[mm]

● BA-30TA-S / BA-30TV-S



※ The optical resolution value stated above are at minimum 90% energy.

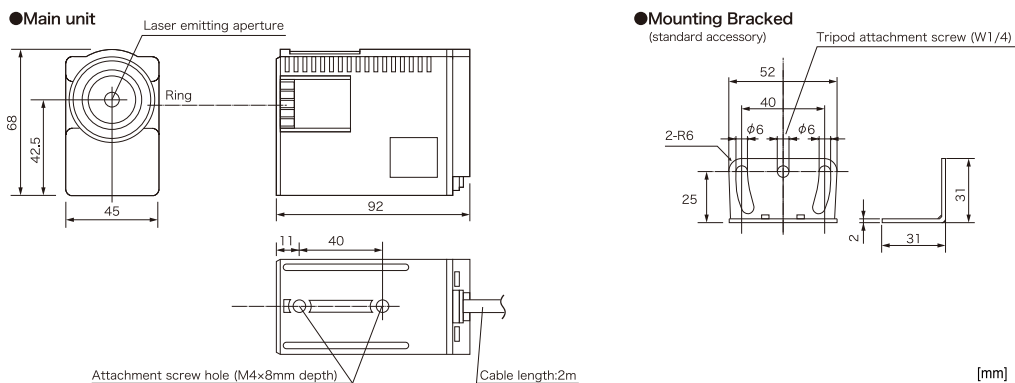
※ The size of measuring object should be sufficiently larger than the spot size.

Specifications

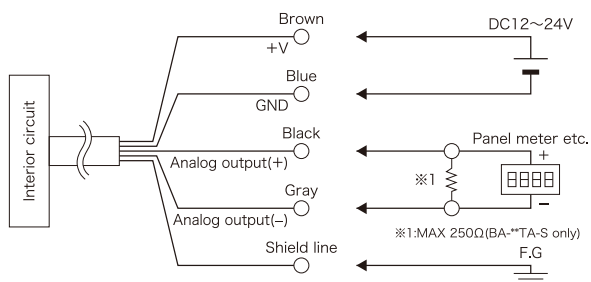
Model	BA-06TV-S	BA-06TA-S	BA-30TV-S	BA-30TA-S
Temperature range	0 to 500°C (Display -20 to 520°C)			
Optical resolution	φ6/200mm		φ30/1000mm	
Sensing element/Spectral response	Thermopile/8 to 14μm			
System accuracy	±1% of reading or ±2°C ±1 digit, whichever is greater(ε≠1.0)			
Repeatability	±1°C of reading			
Response time	100ms/90%			
Temperature resolution	1°C			
Emissivity adjustment (ε)	0.10 to 1.20			
Analog output	1mV/°C	4-20mA	1mV/°C	4-20mA
Output resolution	0.2°C			
Power supply	12-24VDC ±10%/Max 150mA			
Ambient temperature	0 to 50°C			
Relative humidity	35 to 85%Rh (non-condensing)			
Storage temperature	-10 to 60°C			
Protection class	IP65			
Vibration resistance	3G (20 to 50HZ, according to JIS C0911)			
Sighting	Laser (ClassII)			
Material	Ring case:glass-containing PBT, Rear:PSF, Cover:PC			
Weight	350g			

*Specifications subject to change without notice.

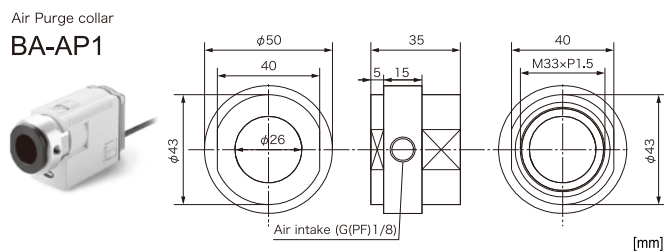
Dimensions



Connection Diagram



Optional Accessory



TASHIKA BOEKI SHOKAI K.K.

1-12, Kaiyo-cho, Ashiya, 659-0035, JAPAN

Tel: + 81-797-23-9035 Fax: + 81-797-23-2105

e-mail: sales@tashika.co.jp URL: www.tashika.co.jp