

Fixed type oxygen detector FG-ⅡS



What's FG-ⅡS

This is an oxygen analyzer using limiting current method of Zirconia electrolyte.

Features

- ◎ Long-term stability measurement.
- ◎ Free maintenance.
- ◎ Output 4-20mA (option)

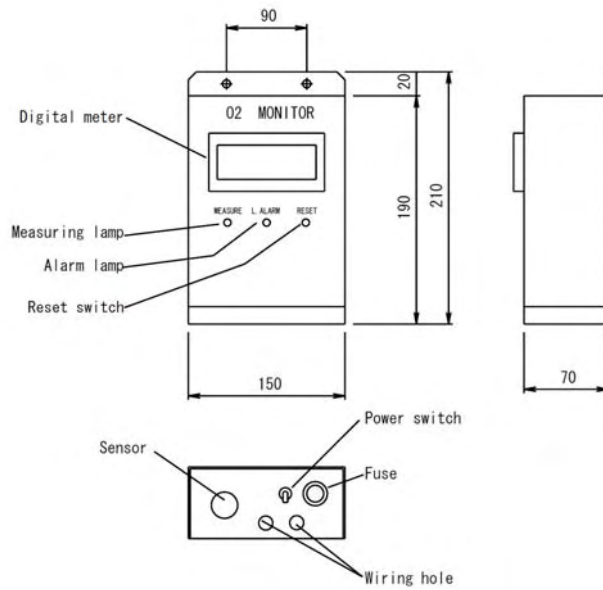
Specification

Installation	Wall type (Indoor)
Measuring range	0%O ₂ ~25%O ₂
Display	0.0%~25.0%O ₂
Alarm	19%O ₂ low-alarm a contact or buzzer
Output	4-20mA D.C. to 0-25% (Option)
Precision	Less than ±0.5%
Response	90% reading in about 10 sec.
Drift	Less than ±2%FS/month
Sampling	Diffusion
Atmosphere	Not be dewy
Warm-up	About 10 minutes
Power	power : AC100±10V 50VA Fuse 1A
Using temp.	-5~45°C

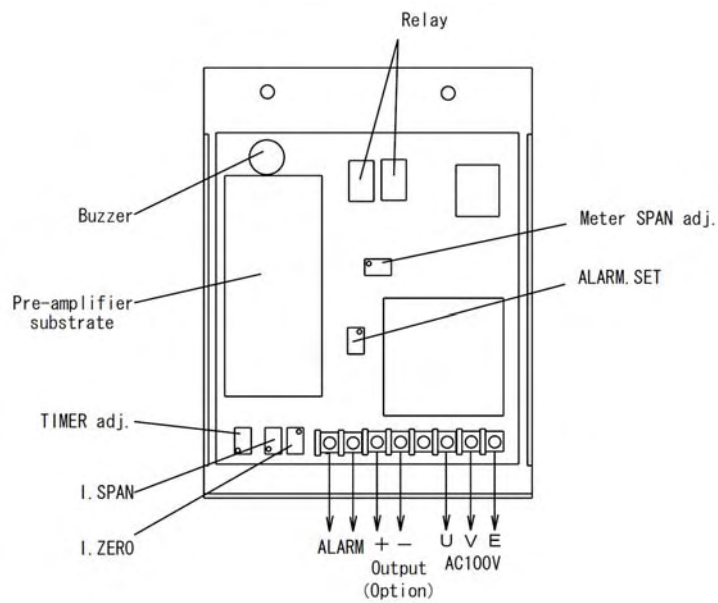
※For the improvement, the specification and design may be changed without prior notice.

Dimensions & Flow Diagram

Dimensions



Internal arrangement diagram



TASHIKA BOEKI SHOKAI K.K.

1-12, Kaiyo-cho, Ashiya, 659-0035, JAPAN

Tel: + 81-797-23-9035 Fax: + 81-797-23-2105

e-mail: sales@tashika.co.jp URL: www.tashika.co.jp